

 **LAUDA**



OVERALL BROCHURE
CONSTANT TEMPERATURE EQUIPMENT
2022/2023

°FAHRENHEIT. °CELSIUS. °LAUDA.

LAUDA SHAKERS



Specific application examples

- Biology and microbiology
- Medical diagnostics
- Analytical laboratories
- Testing institutes, universities and research facilities
- Quality assurance laboratories



UDA



Control panel of the shaker with a digital display showing '50', a power button, and navigation arrows. The text 'GFL Technology' is visible below the display.

LAUDA Varioshake

Shakers and shaking incubators
in many variants for every application

Orbital, linear, tumbling, rocking and overhead shaking

With the new Varioshake shakers, LAUDA is expanding its product range of reliable laboratory devices for a comprehensive range of application. Like the new LAUDA Hydro water baths, the Varioshake shakers bear the ›GFL Technology‹ quality mark and represent the many years of experience and outstanding quality of the premium manufacturer GFL Gesellschaft für Labortechnik. With the modern LAUDA design and excellent performance data, the new LAUDA laboratory devices are a byword for premium quality and precision.



A comprehensive range of accessories ensures high flexibility and provides solutions for a large number of laboratory applications



With digital or analog controls – intuitive and easy to operate



Varioshake VS 60 OI – compact, economic, powerful

Important functions

- The digitally controlled shakers provide an extended timer range with a stop function and reproducibility by saving the most recent operating parameters
- The analog-controlled models have an extended operating temperature range up to 60 °C

Further accessories

Shaking trays, adhesive mats, non-slip support, test tube racks, clamps for flasks/separating funnels, universal attachments

All technical data and power supply variants can be found in the ›Technical data‹ section.

More at www.lauda.de/1774



LAUDA Varioshake

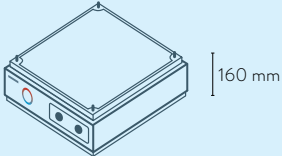
The LAUDA Varioshake product line comprises ten shakers in three sizes with five different shaking motions, as well as three shaking incubators in three sizes with a circular motion.



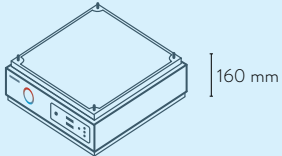
LAUDA Shakers

Device type overview

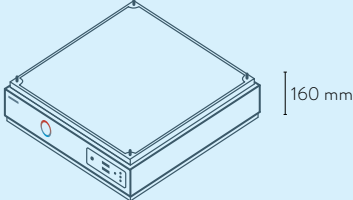
LAUDA Varioshake Shakers / Page 148



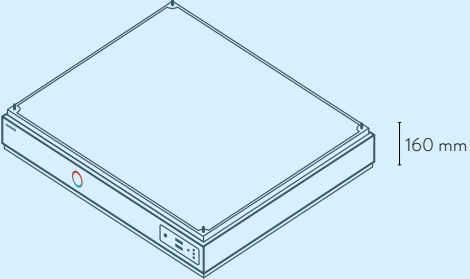
VS 8 OE
VS 8 BE



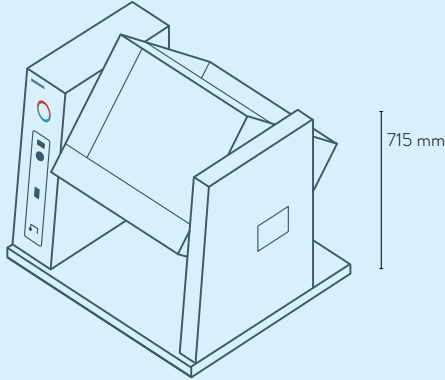
VS 8 O
VS 8 B



VS 15 O
VS 15 B
VS 15 R
VS 15 T

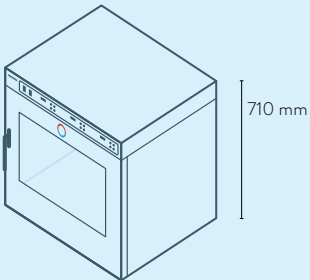


VS 30 O

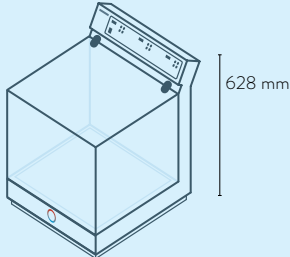


VS 20 OH

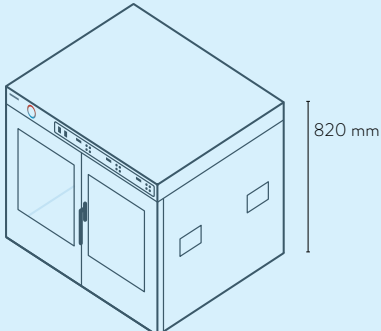
LAUDA Varioshake Shaking incubators / Page 148



VS 45 OI



VS 60 OI



VS 150 OI

LAUDA Shakers

Technical data

Device type	Ambient temperature °C	Size of moving table mm	Max. load bearing capacity kg	Shaking amplitude mm	Tumbling/rocking amplitude °	Shaking frequency rpm	Movement type**	Dimensions (W x D x H) mm	Weight kg	Power supply V; Hz	Max. power consumption kW	Part Number
Shakers / Page 148												
VS 8 OE*	10 ... 60	330 x 330	8	10	-	20 ... 500	O	350 x 375 x 160	11.0	230 V; 50/60 Hz	0.07	L003055
VS 8 BE*	10 ... 60	330 x 330	8	20	-	20 ... 300	B	350 x 375 x 160	11.0	230 V; 50/60 Hz	0.07	L003056
VS 8 O	10 ... 50	330 x 330	8	10	-	20 ... 500	O	350 x 355 x 160	11.0	230 V; 50/60 Hz	0.07	L003057
VS 8 B	10 ... 50	330 x 330	8	20	-	20 ... 300	B	350 x 355 x 160	11.0	230 V; 50/60 Hz	0.07	L003058
VS 15 O	10 ... 50	450 x 450	15	30	-	20 ... 300	O	480 x 487 x 160	19.5	230 V; 50/60 Hz	0.07	L003061
VS 15 B	10 ... 50	450 x 450	15	30	-	20 ... 300	B	480 x 487 x 160	19.5	230 V; 50/60 Hz	0.07	L003062
VS 15 R	10 ... 50	450 x 450	15	-	3	2 ... 50	R	480 x 487 x 160	19.5	230 V; 50/60 Hz	0.09	L003060
VS 15 T	10 ... 50	450 x 450	15	-	3	2 ... 50	T	480 x 487 x 160	19.5	230 V; 50/60 Hz	0.09	L003059
VS 30 O	10 ... 50	676 x 540	30	32	-	20 ... 250	O	705 x 607 x 160	34.0	230 V; 50/60 Hz	0.09	L003063
VS 20 OH	10 ... 40	-	20	-	-	1 ... 20	OH	770 x 700 x 715	62.0	230 V; 50/60 Hz	0.10	L003064

VS 8 O to VS 30 O shakers with RS232 interface as an option

Device type	Working temperature range °C	Temperature stability ±K	Max. heating output kW	Chamber dimensions mm	Chamber volume L	Max. load bearing capacity kg	Shaking amplitude mm	Shaking frequency rpm	Movement type**	Dimensions (W x D x H) mm	Weight kg	Power supply V; Hz	Max. power consumption kW	Part Number
Shaking incubators / Page 148														
VS 60 OI ¹	28 ... 70	0.20	0.5	450 x 450 x 338	68	12	30	20 ... 250	O	559 x 687 x 628	41.5	230 V; 50/60 Hz	0.80	L003052
VS 45 OI ²	28 ... 70	0.20	0.5	420 x 270 x 320	45	12	25	20 ... 250	O	710 x 650 x 710	70.0	230 V; 50/60 Hz	0.80	L003053
VS 150 OI ³	28 ... 70	0.20	0.5	674 x 540 x 430	150	20	25	20 ... 250	O	930 x 890 x 820	135.0	230 V; 50/60 Hz	0.80	L003054

All shaking incubators, including RS232 interface as standard

* OE*/BE* = with analog control

¹ with acrylic cover

² with one front door

³ with two front doors

** Movement type:

O = orbital

B = bi-directional / Linear

R = rockers

T = tumble

OH = overhead



